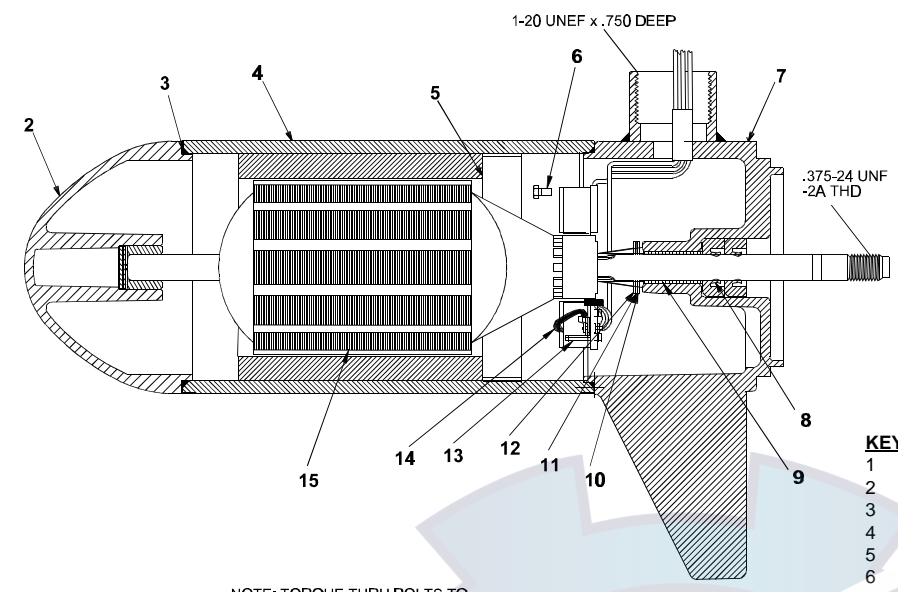


LOWER UNIT BREAKDOWN

Model:
QS43



NOTE: TORQUE THRU BOLTS TO 40 TO 50 INCH LBS.

| KEY | QTY | DESCRIPTION | PART NO. |
|-----|-----|-----------------------|-----------|
| 1 | X | MOTOR | ET397-01 |
| 2 | 1 | NOSE CAP | JF3212-01 |
| 3 | 2 | O RING SEAL | MR217-01 |
| 4 | 1 | HOUSING ASY | ET3210-01 |
| 5 | 1 | RETAINER | JF233-01 |
| 6 | 2 | BRUSH CARD SCREW | MR228-01 |
| 7 | 1 | COMM CAP | ET3205-01 |
| 8 | 2 | SHAFT SEAL | MR223-01 |
| 9 | 1 | BEARING | MR206-01 |
| 10 | 1 | NYLATRON WASHER | MR226-01 |
| 11 | 1 | WASHER | MR227-01 |
| 12 | 1 | E RING | MR219-01 |
| 13 | 2 | BRUSH SPRINGS | MR214-02 |
| 14 | 1 | BRUSH ASY LESS SPRING | DF3201-01 |
| 15 | 1 | ARMATURE 3.5" | KF3207-01 |
| 16 | 4 | STATIC SEAL | MR222-01 |
| 17 | 4 | THRU BOLT WASHER | MR216-01 |
| 18 | 2 | THRU BOLT | MR218-01 |

WIRING

